

## A Closer Look at the Meru Quality

- German Technology**  
Developed with German Technology and design
- Pressure Injected Insulation**  
CFC-free polyurethane foam insulation
- Inner Tank**  
High gauge stainless steel made to last
- Heating Element**  
Saves cost with maximum thermal efficiency heating element
- Signal Lamp**  
Indicates heater in operation
- Thermal Cut-Out**  
Automatic power cuts off should the preset temperature be exceeded
- Cold Expansion Valve**  
Pressure relief device to prevent pressure built-up
- Pressure and Temperature Relief Valve** (optional)  
Extra protection for excess temperature and pressure
- Outlet Pipe**  
Stainless steel hot-water pipe
- Inlet Pipe**  
Jet breaker stainless steel pipe to control the mix of incoming cold water with hot water in the tank



**meru**<sup>TM</sup>  
Electric Storage Heaters

## Total Quality Control



Hydraulic Press Mould



Foaming Jig



Welding Jig



Quality Assembly

## Flexible in Installation



Ceiling

Floor

Vertical

Horizontal

## Quality You Can Trust

Meru Electric Storage Heaters are manufactured by Solartech, a leading water heater company for over 25 years. It's a brand that has established itself by constantly manufacturing high-quality products.

### German Technology

Meru Electric Storage Heaters are developed using German technology build quality.

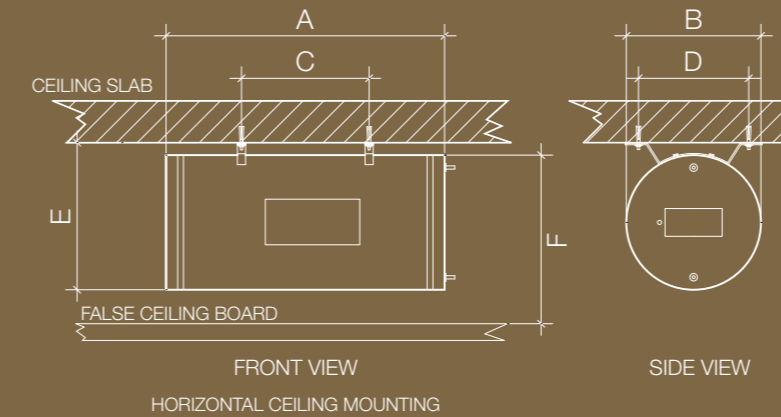
### ISO 9001:2008 Certified Company

### SIRIM Approved

## Specifications

MODEL	MP-15	MP-25	MP-38	MP-55	MP-75	MP-90	MP-115	MP-125	MP-200	MP-300	MP-450	MP-600	MP-800	MP-1000
Capacity (Litres)	15	25	38	55	75	90	115	125	200	300	450	600	800	1000
Dimension (mm)	305 x 405	305 x 610	355 x 640	430 x 600	430 x 780	430 x 900	510 x 960	510 x 1000	510 x 1610	560 x 1550	790 x 1125	790 x 1500	965 x 1355	965 x 1670
Rating (kW) [ Voltage (Volt) ]	3/240v/1ph [240]					9/415v/3ph [415]	3/240v/1ph [240]	3/240v/1ph [240]	3/240v/1ph [240]	3/240v/1ph [240]	3/240v/1ph [240]	3/240v/1ph [240]	3/240v/1ph [240]	9/415v/3ph [415]
Thermostat	60° C													
Thermal Cut-Out	93° C Manual Reset - 1 Phase / 82° C Manual Reset - 3 Phase													
Inner Tank Material	Special High Gauge Stainless Steel													
Nominal Working Pressure	100 p.s.i.													
Test Pressure	150 p.s.i.													
Recommend Inlet Pressure	60 p.s.i. (maximum)													
Cold Expansion Valve Setting	145 p.s.i.													
P.T. Valve Setting	125 p.s.i. / 99° C													
Insulation Material	CFC-Free Polyurethane Foam													
Casing	Zinc / Aluminium Alloy													
Inner Tank Warranty	5 Years													
Electrical Parts Warranty	1 Year													

Rating (kW) : (Other options) 12/18/27kW available on request



**meru**<sup>TM</sup>  
Electric Storage Heaters



**meru**<sup>TM</sup>  
Electric Storage Heaters

Bringing warmth  
to the way you live

